

Towing trucks 1.0 - 1.5 ton

TRACTO

N-series

TSE100-702

TSE150-708

TSE150-728



Towing trucks

Specifications					TSE100 - 702
Identification	1.2	Model			TSE100 - 702
	1.3	Drive			Electric
	1.4	Operator type			Stand on
	1.5	Load capacity/rated load	Q	kg	1000
	1.7	Rated drawbar pull	F	N	600
	1.9	Wheelbase	y	mm	815
Weight	2.1	Service weight including battery		kg	270 ¹⁾
	2.2	Axle load, with load, drive/castor/support arm wheel		kg	150/33/68
	2.3	Axle load, without load, drive/castor/support arm wheel		kg	150/33/68
Wheels	3.1	Drive/castor/support arm wheel			Polyurethane/Polyurethane/Elastic
	3.2	Wheel size, front		mm	Ø 250 x 80
	3.3	Wheel size, rear		mm	Ø 200 x 50
Dimensions	4.2.1	Overall height	h_{15}	mm	1091
	4.8	Stand height	h_7	mm	70
	4.12	Coupling height towing pin towing bar	h_{10}	mm	—
			h_{10}	mm	270 ²⁾
	4.19	Overall length (towing pin / towing bar)	l_1	mm	— /1266
	4.21	Overall width	b_1 / b_2	mm	595/600
	4.32	Ground clearance, centre of wheelbase	m_2	mm	33
	4.35	Turning radius	W_a	mm	1085
4.44	Clear width driver compartment entrance	l_{24}	mm	423	
Performance data	5.1	Travel speed, with/without load		km/h	9/12 ³⁾
	5.5	Drawbar pull, with/without load		N	600
	5.6	Max. drawbar pull, with/without load		N	1320
	5.7	Gradeability, with/without load		%	10/10
	5.9	Acceleration time, with/without load (0-10m)		s	5,7/4,7
	5.10	Service brake			Electromagnetic
Electric motor	6.1	Drive motor rating S2 60 min		kW	1,0
	6.4	Battery voltage/nominal capacity K_5		V/Ah	24/76 - 105
	6.5	Battery weight		kg	58/75
	6.6	Energy consumption acc. to VDI cycle ⁴⁾		kWh/h	—
Others	8.1	Type of drive control			Variable AC
	8.4	Sound level at the driver's ear according to EN 12 053		dB (A)	<70

1) With 105 Ah battery.

2) Adjustable upwards.

3) Higher speed with braked trailers possible.

4) Contact your supplier for information.

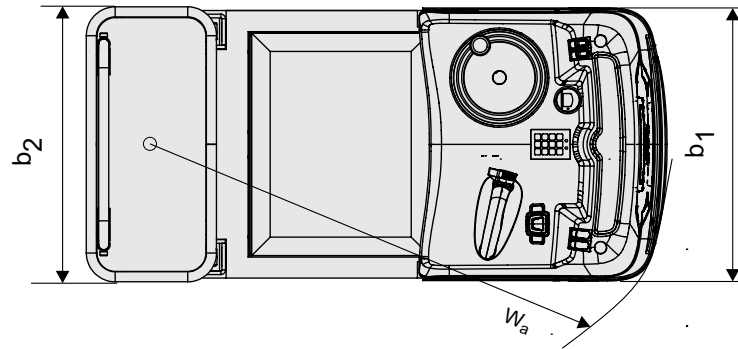
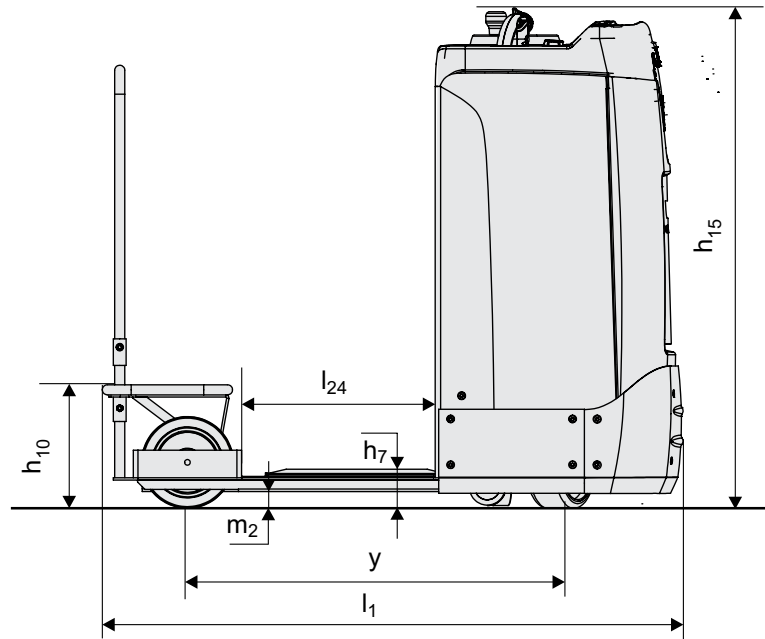
All data are based on table configuration. Other configurations may give other values.

Truck performance and dimensions are nominal and subject to tolerances.

Products and specifications are subject to change without notice.

Dimensional drawings

TSE100 - 702



Towing trucks

Specifications					TSE150 - 708	TSE150 - 728
Identification	1.2	Model			TSE150 - 708	TSE150 - 728
	1.3	Drive			Electric	Electric
	1.4	Operator type			Stand on	Stand on
	1.5	Load capacity/rated load	Q	kg	1500	1500
	1.5.1	Load surface capacity		kg	—	150
	1.7	Rated drawbar pull	F	N	600	600
	1.9	Wheelbase	y	mm	815	1165
Weight	2.1	Service weight including battery		kg	376 ¹⁾	396 ¹⁾
	2.2	Axle load, with load, drive/castor/support arm wheel		kg	192/45/139	217/45/284
	2.3	Axle load, without load, drive/castor/support arm wheel		kg	192/45/139	208/45/143
Wheels	3.1	Drive/castor/support arm wheel			Polyurethane/Polyurethane/Elastic	
	3.2	Wheel size, front		mm	Ø 250 x 80	Ø 250 x 80
	3.3	Wheel size, rear		mm	Ø 200 x 50	Ø 200 x 50
Dimensions	4.2.1	Overall height	h_{15}	mm	1358	1091
	4.8	Stand height	h_7	mm	70	70
	4.12	Coupling height towing pin towing bar	h_{10}	mm	199/269, 344/414	199/269, 344/414
			h_{10}	mm	231/331/431	231/331/431
	4.19	Overall length (towing pin / towing bar)	l_1	mm	1333/1299	1760/1726
	4.21	Overall width	b_1 / b_2	mm	595/584	731/747
	4.32	Ground clearance, centre of wheelbase	m_2	mm	33	33
	4.35	Turning radius	W_a	mm	1085	1432
4.44	Clear width driver compartment entrance	l_{24}	mm	401	426	
Performance data	5.1	Travel speed, with/without load		km/h	6/12 ³⁾	9/12 ³⁾
	5.5	Drawbar pull, with/without load		N	600	600
	5.6	Max. drawbar pull, with/without load		N	1320	1320
	5.7	Gradeability, with/without load		%	10/10	10/10
	5.9	Acceleration time, with/without load (0-10m)		s	5,7/4,7	5,7/4,7
	5.10	Service brake			Electromagnetic	Electromagnetic
Electric motor	6.1	Drive motor rating S2 60 min		kW	1,0	1,0
	6.4	Battery voltage/nominal capacity K_5		V/Ah	24/76 - 105	24/76 - 105
	6.5	Battery weight		kg	58/75	58/75
	6.6	Energy consumption acc. to VDI cycle ⁴⁾		kWh/h	—	—
Others	8.1	Type of drive control			Variable AC	Variable AC
	8.4	Sound level at the driver's ear according to EN 12 053		dB (A)	<70	<70

1) With 105 Ah battery.

2) Adjustable upwards.

3) Higher speed with braked trailers possible.

4) Contact your supplier for information.

All data are based on table configuration. Other configurations may give other values.

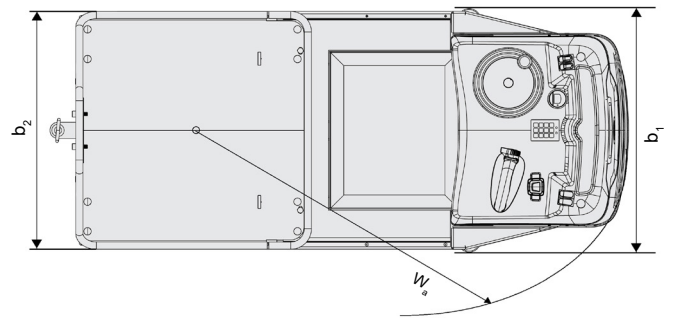
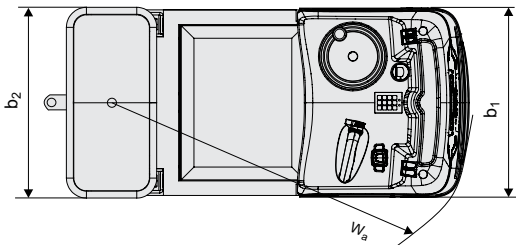
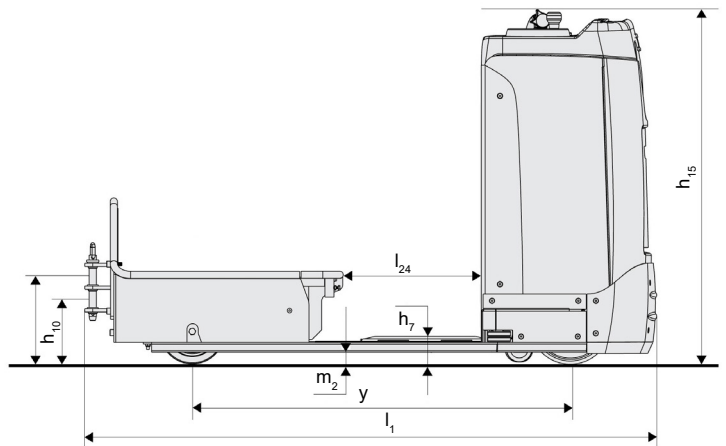
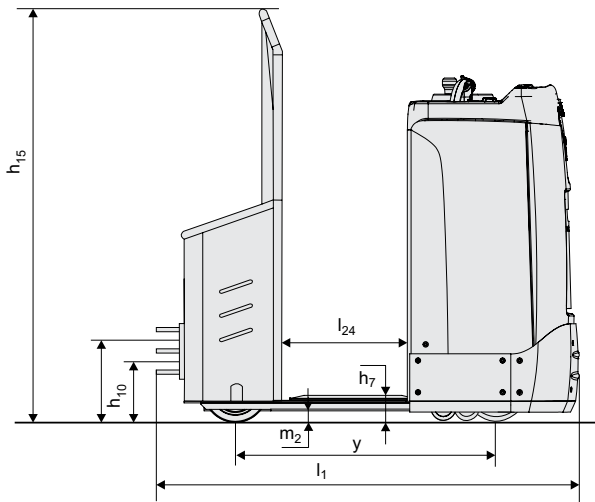
Truck performance and dimensions are nominal and subject to tolerances.

Products and specifications are subject to change without notice.

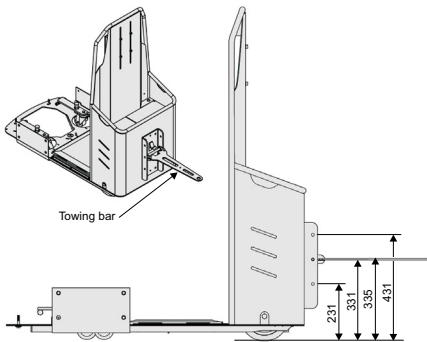
Dimensional drawings

TSE150 - 708

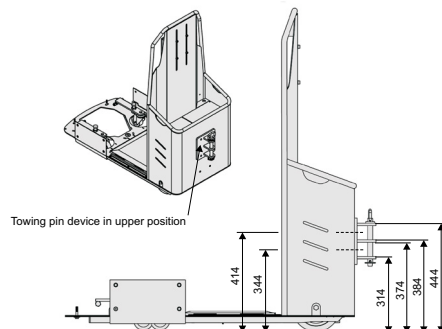
TSE150 - 728



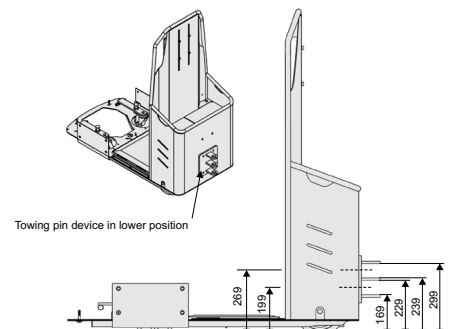
TSE150 with towing bar



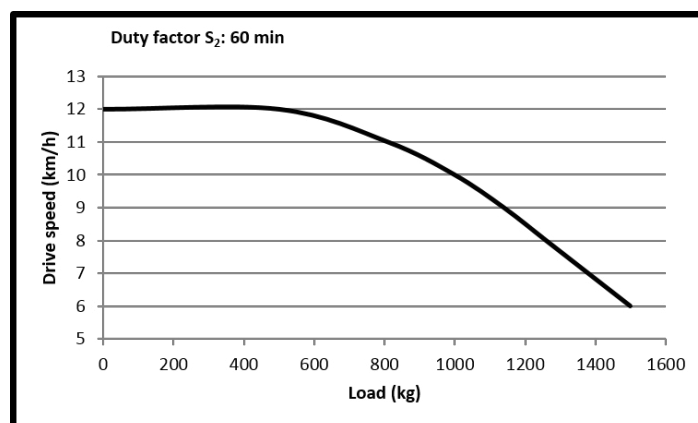
TSE150 with towing pin



TSE150 with towing pin



Note: Dimensions applicable to TSE150-708 and TSE150-728.



Truck features:

- Toyota Tracto N-series towing trucks offer flexible, efficient and frequent material handling.
- The trucks and carriers are simple to use and ergonomically designed.
- Up to 1500 kg towing capacity.
- Low instep. Only 70 mm.
- Low weight.
- Programmable performances. Maximum speed 12 km/h.
- Easy service accessibility.
- External charger and built-in battery cassette for convenient change.



TMHE-Toyota Material Handling Europe — 746802-040, version 6, 2023-09-05

TOYOTA

MATERIAL HANDLING